





biegsam/malleable

07+09/180 mm **11-112-07**
11+13/180 mm **11-112-11**
15+18/180 mm **11-112-15**
18+22/180 mm **11-112-18**

Cushing



biegsam/malleable

09/200 mm **11-113-09**
12/200 mm **11-113-12**
12/250 mm **11-113-13**



Heifetz

konkav/concave

07/09 mm **11-124-07**
11/13 mm **11-124-11**
15/18 mm **11-124-15**
18/22 mm **11-124-18**



Olivecrona

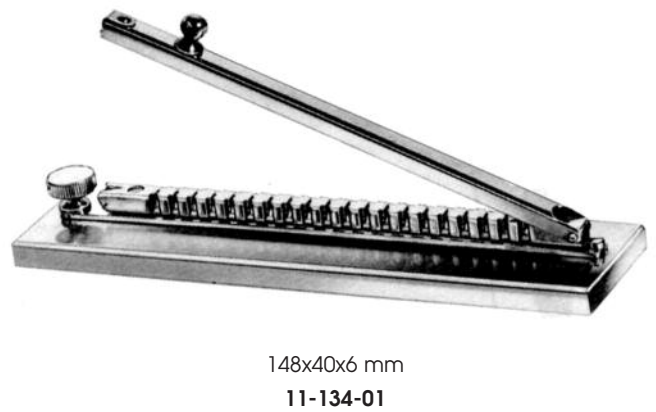
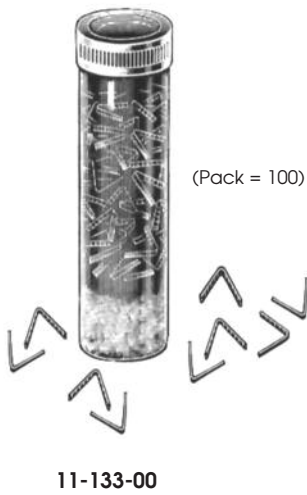
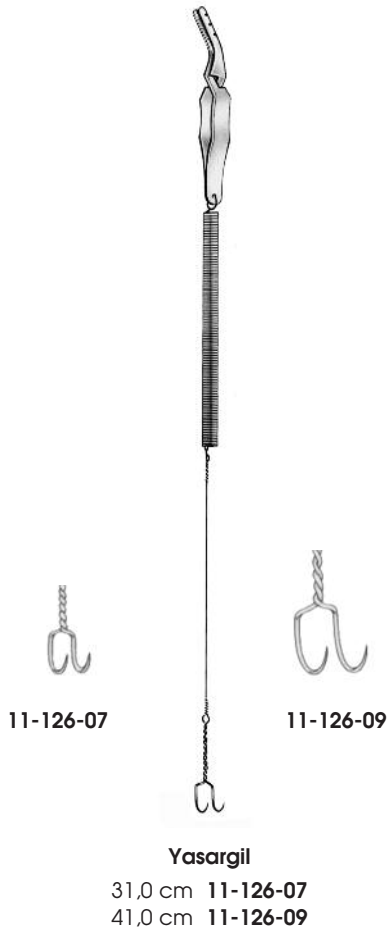
konvex/convex

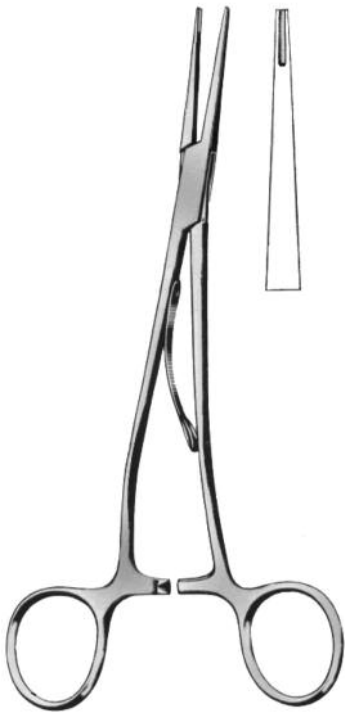
07/09 mm **11-125-07**
11/13 mm **11-125-11**
15/18 mm **11-125-15**
18/22 mm **11-125-18**



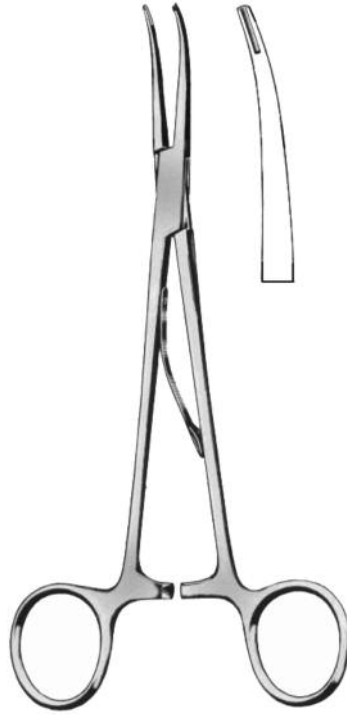
flexibel/flexible

08/155 mm **11-115-08**
11/155 mm **11-115-11**
14/155 mm **11-115-14**
17/155 mm **11-115-17**
08/200 mm **11-120-08**
11/200 mm **11-120-11**
14/200 mm **11-120-14**
17/200 mm **11-120-17**
20/200 mm **11-120-20**

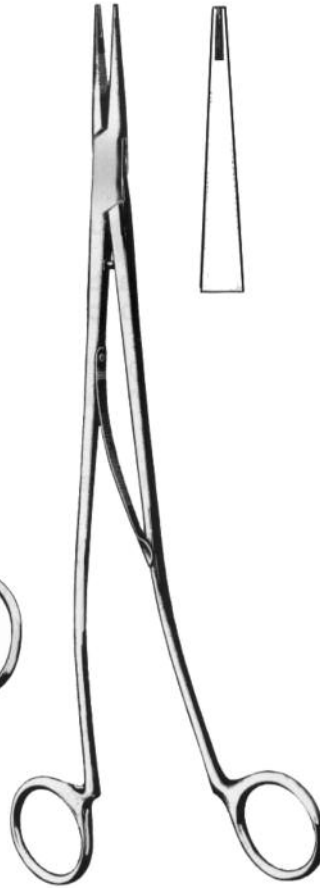




McKenzie
15,0 cm 11-136-15
19,0 cm 11-136-19



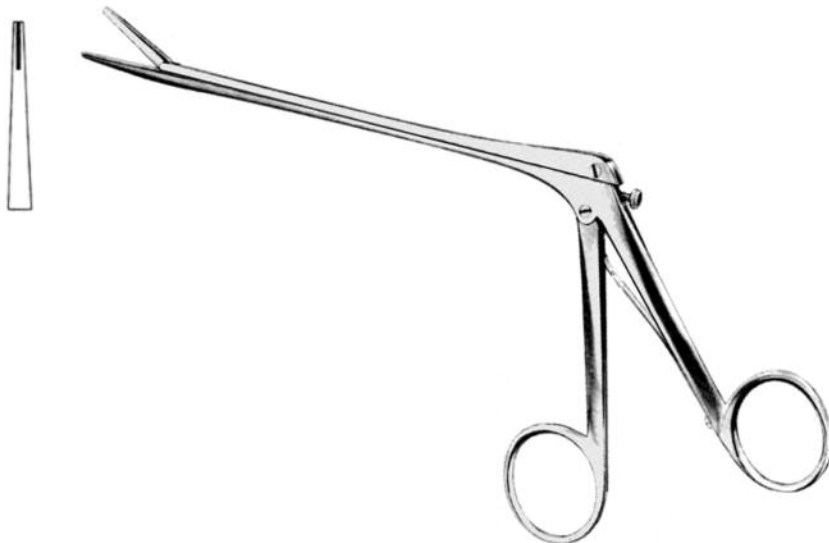
McKenzie
15,0 cm 11-137-15
19,0 cm 11-137-19



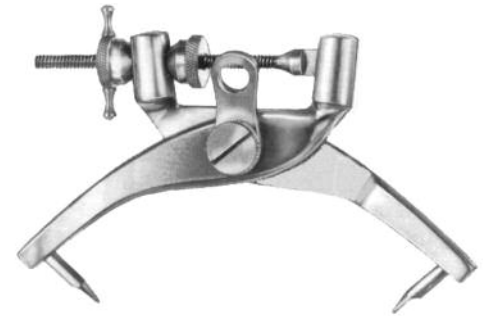
Sweet
23,0 cm 11-138-23
26,0 cm 11-138-26



Smithwick
23,0 cm 11-139-23
26,0 cm 11-139-26



Olivecrona-Toennis
14,0 cm 11-140-14



Crutchfield
 11-150-01



Crutchfield
 11-150-02



Vorbohrer
 Drill points

11-152-35 **11-152-50**
 Ø 3,5 mm Ø 5,0 mm



Crutchfield
 11-150-03

Ersatzdorn (ohne Abb.)
 Spare Pin only (whithout illustration)
 11-151-00



Dahlgren
20,0 cm 11-154-20



De Vilbiss
20,0 cm 11-156-21



De Martel
 33,0 cm 11-158-33



Olivecrona

18,0 cm 11-160-18
 24,0 cm 11-160-24



19,5 cm 11-161-19
 24,0 cm 11-161-24



Sachs, 21,0 cm



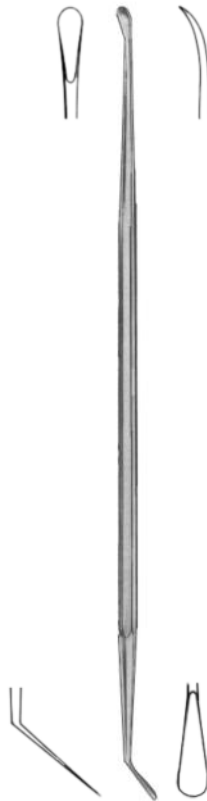
3,0 mm
 11-163-03



6,0 mm
 11-163-06



Dissektor
 22,0 cm 11-165-22



Milligan
 21,0 cm 11-167-21



Sachs
 21,0 cm 11-169-21





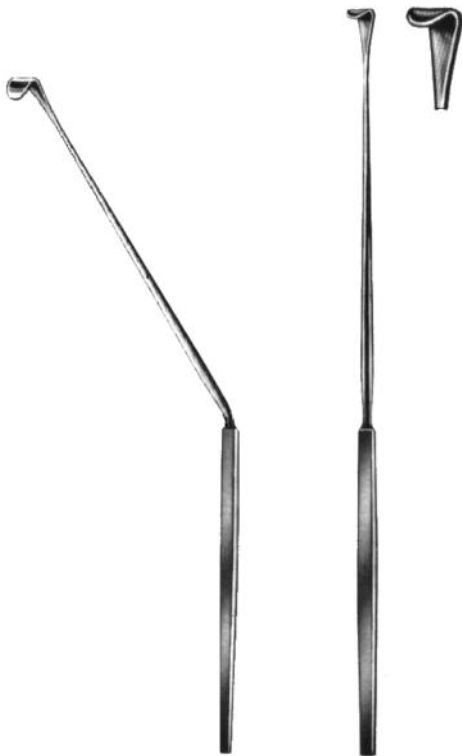
Frazier
15,0 cm 11-170-01



Hoehn
15,0 cm 11-170-02



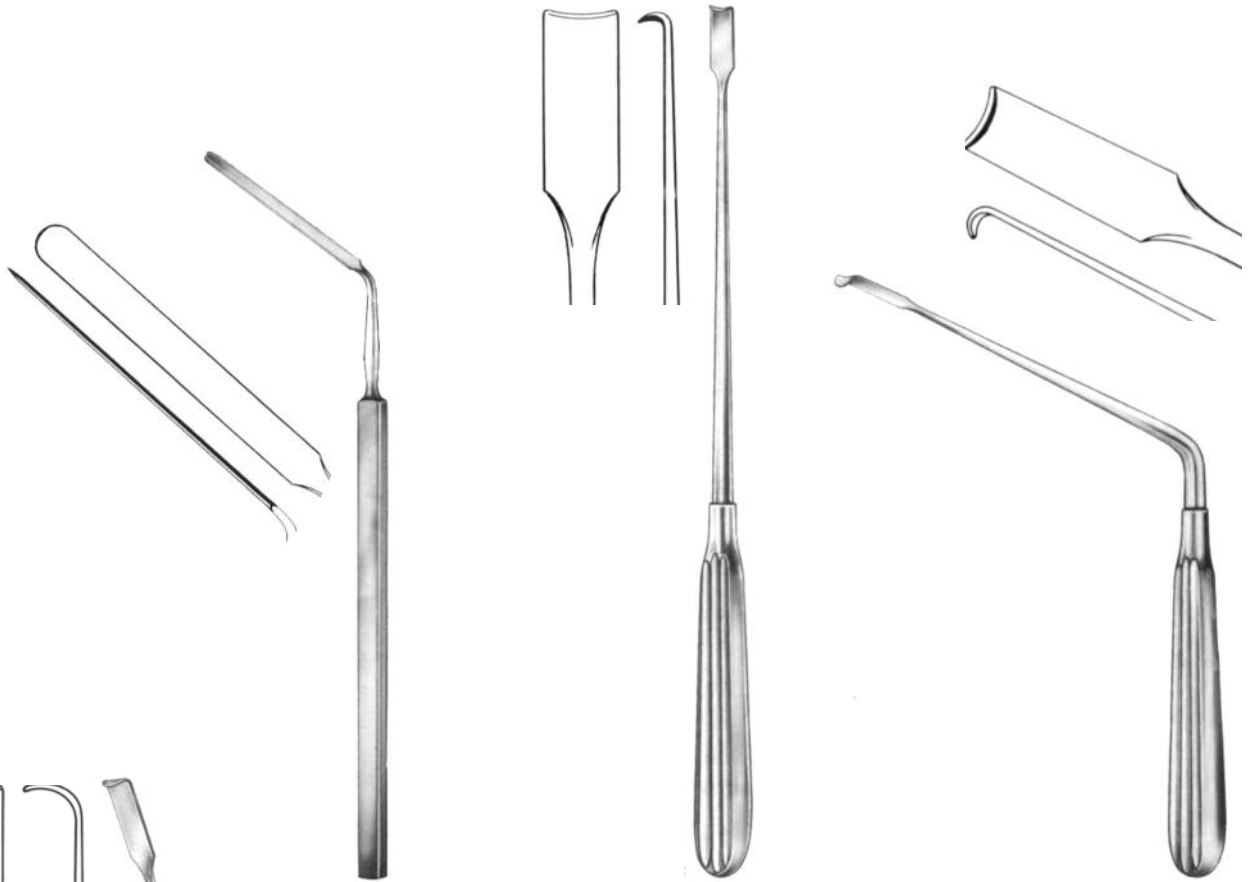
Hoehn
15,0 cm 11-170-03



Love 19,0 cm 11-172-02
Love 11-172-01
Love 11-172-03



Nervwurzelhaken
Nerve Root Retractor
19,0 cm 11-173-19



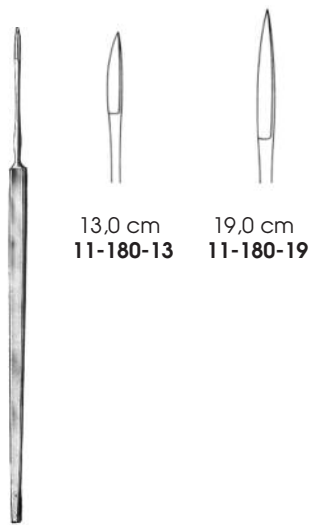
Horsley
 20,0 cm 11-175-20

Scoville
 23,0 cm 11-176-23

Scoville
 19,0 cm 11-177-19



Holsher
 24,0 cm 11-179-24



13,0 cm
 11-180-13

19,0 cm
 11-180-19

Toennis



Halle
 20,0 cm 11-182-20



Smithwick
17,0 cm 11-187-17
21,0 cm 11-187-21



Dandy
20,0 cm 11-188-20



Adson
20,0 cm 11-190-20



Graham
16,5 cm 11-191-16



Sachs
18,5 cm 11-192-18



Toennis
15,0 cm 11-193-15



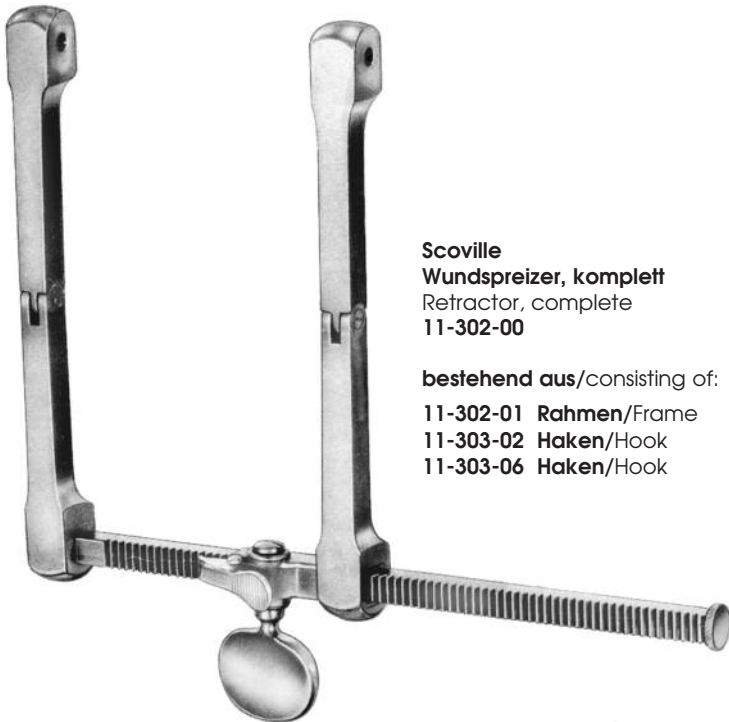
Cushing
14,0 cm 11-194-14



Frazier
13,0 cm 11-195-13
18,0 cm 11-195-18



Adson
20,0 cm 11-196-20



Scoville
Wundspreizer, komplett
 Retractor, complete
 11-302-00

bestehend aus/consisting of:
 11-302-01 **Rahmen/Frame**
 11-303-02 **Haken/Hook**
 11-303-06 **Haken/Hook**

Scoville
Rahmen allein
 Frame only
 11-302-01



11-303-02 50 mm



11-303-03 70 mm



11-303-04 50 mm



11-303-05 70 mm



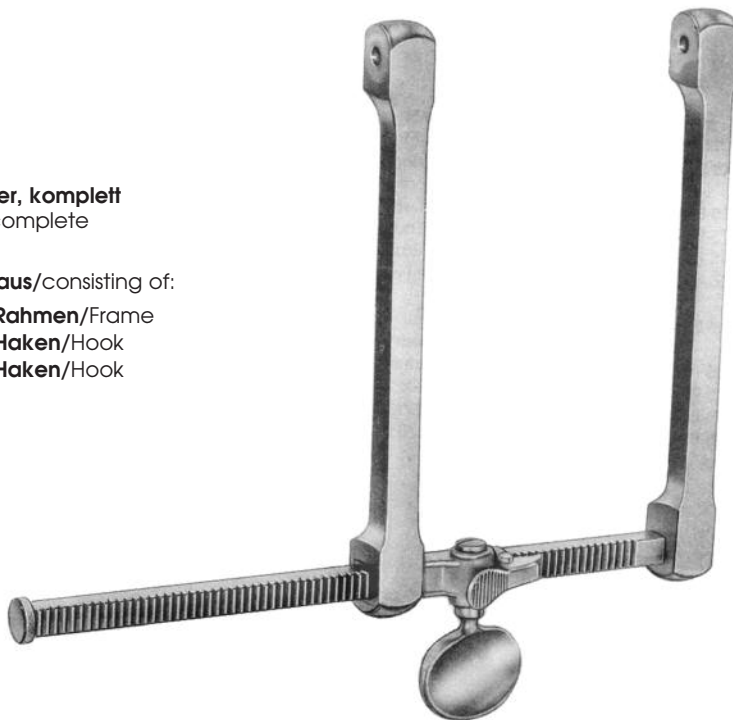
11-303-06 64x25 mm

11-303-07 64x50 mm

11-303-08 88x25 mm

Scoville
Wundspreizer, komplett
 Retractor, complete
 11-303-00

bestehend aus/consisting of:
 11-303-01 **Rahmen/Frame**
 11-303-02 **Haken/Hook**
 11-303-06 **Haken/Hook**



Scoville
Rahmen allein
 Frame only
 11-303-01



11-303-11 48x50 mm

11-303-12 64x50 mm

11-303-13 64x64 mm

11-303-14 80x57 mm



11-303-15 41x38 mm

11-303-16 67x44 mm



Caspar

- 11-354-00 Sperrer mit Gelenken und 10 Blätter**
(11-358-01 - 11-358-15)
Retractor, with 10 blades
(11-358-01 - 11-358-15)
- 11-354-01 Sperrer, alleine**
Retractor, only



Caspar

- 11-355-00 Gegensperrer mit Gelenken und 5 Blätter**
(11-358-21 - 11-358-25)
Counter Retractor, with 5 blades
(11-358-21 - 11-358-25)
- 11-355-01 Gegensperrer, alleine**
Counter Retractor, only



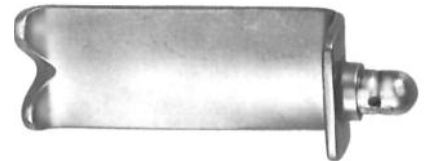
Caspar

- 11-356-00 Gegensperrer mit Gelenken und 5 Blätter**
(11-358-21 - 11-358-25)
Counter Retractor, with 5 blades
(11-358-21 - 11-358-25)
- 11-356-01 Gegensperrer, alleine**
Counter Retractor, only

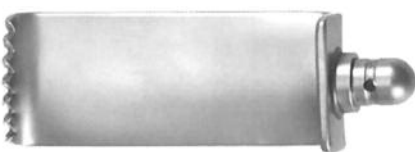


- 11-358-01** 40x23 mm
11-358-02 45x23 mm
11-358-03 50x23 mm
11-358-04 55x23 mm
11-358-05 60x23 mm

Blätter für Wirbelsäulenspreizer
Blades for Spine Retractors



- 11-358-21** 45x23 mm
11-358-22 50x23 mm
11-358-23 55x23 mm
11-358-24 60x23 mm
11-358-25 65x23 mm



- 11-358-11** 40x23 mm
11-358-12 45x23 mm
11-358-13 50x23 mm
11-358-14 55x23 mm
11-358-15 60x23 mm



- 11-358-31** 50x25 mm
11-358-32 60x25 mm



Cloward, 26,0 cm

11-361-00 Sperrer komplett mit je 2 Valven
 (11-363-02 - 11-363-06)
 Wound Spreader, complete
 (11-363-02 - 11-363-06)

11-361-01 Sperrer, allein
 Wound Spreader, only



11-363-02 40 mm
11-363-03 45 mm
11-363-04 50 mm
11-363-05 55 mm
11-363-06 60 mm



11-363-12 40 mm
11-363-13 45 mm
11-363-14 50 mm
11-363-15 55 mm
11-363-16 60 mm



Cloward, 16,0 cm

11-362-00 Sperrer komplett mit je 2 Valven
 (11-363-12 - 11-363-16)
 Wound Spreader, complete
 (11-363-12 - 11-363-16)

11-362-01 Sperrer, allein
 Wound Spreader, only



Caspar

11-365-00 Gegensperrer komplett mit 7 Valven
(11-365-02 - 11-365-08)
Counter Retractor, complete
(11-365-02 - 11-365-08)

11-365-01 Sperrer, allein
Counter Retractor, only



11-365-02 40 mm
11-365-03 45 mm
11-365-04 50 mm
11-365-05 55 mm
11-365-06 60 mm
11-365-07 70 mm
11-365-08 80 mm



Caspar

40 mm **11-366-40**
45 mm **11-366-45**
50 mm **11-366-50**
55 mm **11-366-55**
60 mm **11-366-60**
65 mm **11-366-65**
75 mm **11-366-75**
85 mm **11-366-85**



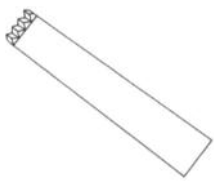
Caspar

11-367-00 Gegensperrer komplett mit 6 Valven
(11-367-02 - 11-367-07)
Counter Retractor, complete
(11-367-02 - 11-367-07)

11-367-01 Gegensperrer, allein
Counter Retractor, only



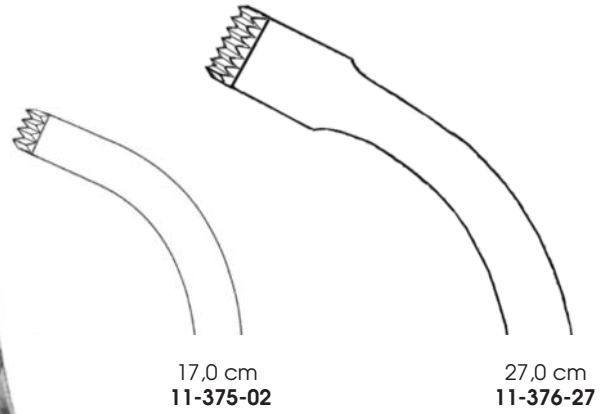
11-367-02 35 mm
11-367-03 40 mm
11-367-04 45 mm
11-367-05 50 mm
11-367-06 55 mm
11-367-07 60 mm
11-367-08 65 mm
11-367-09 75 mm
11-367-10 85 mm



Cloward
 15,5 cm 11-371-15



Inge



Cushing-Landolt
 70x15 mm 11-400-01
 90x15 mm 11-400-02
 110x15 mm 11-400-03